

FLATRON Plasma

50" Plasma Display Panel
MU-50PZ41



Breathe life into your corporate presentation or simply sit back for the evening to enjoy your favourite movie. Either way, you're guaranteed an unparalleled viewing experience with crystal clear, high-definition video and razor sharp data imaging.

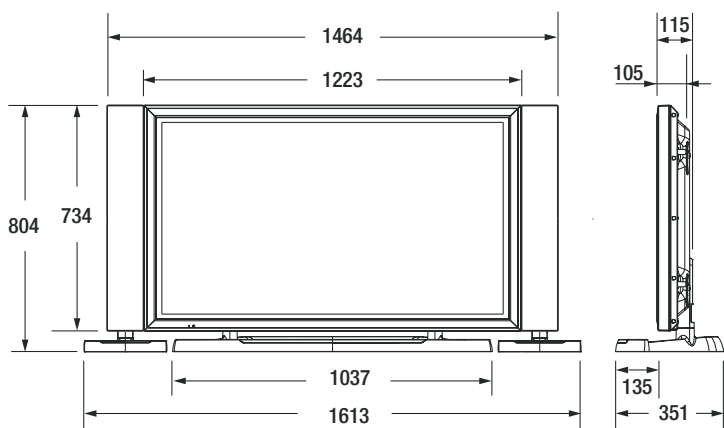
With a 50" Flatron MU-50PZ41, you'll find life simply looks *better...*



Digitally yours

FLATRON Plasma

50" Plasma Display Panel
MU-50PZ41



MONITOR SPECIFICATIONS

Video	Aspect Ratio	16:9
	Display	XGA (1366 X 768)
	Screen size (H x V)	1106 x 622 mm
	Resolution	1366 x 768 (WXGA)
	Cell Pitch (H x V)	0.25 x 0.81 mm
	Picture Mode	4:3, 16:9, Zoom
	Peak Bright	620 cd/m ²
	Contrast Ratio (Darkroom)	600:1
	Color Temperature	8000°K
	View Angle	> 160°
	Colors (RGB)	16.7 Million
	Plasma Type	RGB Stripe (Black Matrix)
	Input Signal	NTSC, HD, VGA~SXGA
	On Screen Disp. Language	Eng/Fre/Span/Port/Kor
Features	Digital Comb Filter	Yes
	Digital High Picture	Yes
	Picture-In-Picture	Yes (variable sizes)
	DCDi Video Processor	Yes
I/O	RGB Input (D-SUB15)	PC (VGA ~SXGA), HD (480P / 720P / 1080i)
	RGB Output (D-SUB15)	RGB (PC/HD) Monitor Loop Through
	Ext. Control RS-232C	Yes (D-SUB9)
	Composite Video Input	Yes
	S-Video Input	Yes
	Component Input (Y,Pb,Pr)	SD&HD (Y/Y,Pb/Cb,Pr/Cr)
	DVI Input (DVI-I)	Digital RGB Input
	Audio Input	2 x L/R, 1 x Jack
	Power Cable	Grounded
	Audio Output(SPK)	L/R Out

DCDi™
by FAROUDJA

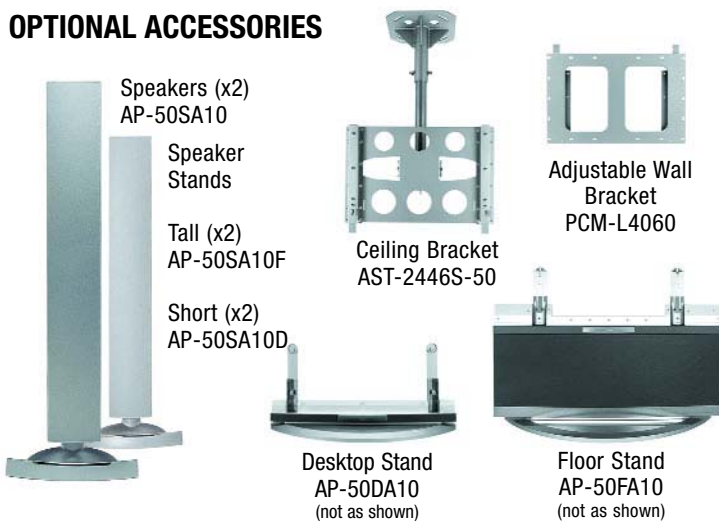


Emmy Award-winning DCDi™ technology is featured on all LG plasma display panels.

Directional Correlational Deinterlacing (DCDi™) eliminates the jagged edges that appear when standard interlaced video is viewed on progressive scan displays, producing images that look smooth and natural. In a word: better.



OPTIONAL ACCESSORIES



AC input	120V
Power Consumption	500W Max
Size (W x H x D)	1223 x 734 x 105 mm
Size (W x H x D) with Stand	1223 x 804 x 351 mm
Weight	45.3 kg
Weight (with Stand)	49.3 kg

SPEAKER SPECIFICATIONS

Audio	Audio Output	10W x 10W
	Speaker type	8 Ohm (4 speaker)
I/O	Audio Input Terminal	L / R

Size (W x H x D)	269 x 804 x 168 mm
Weight	2.26 kg x 2

Features and specifications subject to change without notice.

